

**Eoslift**

Manual Pallet Stacker

# H10J



**Eoslift**

**Eoslift Automation Technology Corp.**  
No.99, Yanjia Road, Yuantong Town, Haiyan, Zhejiang  
Province, China 314317  
Tel: +86 573 8622 9999  
Fax: +86 573 8622 2900  
info@eoslift.com  
www.eoslift.com

Hotline: 400-626-9090

**Eoslift USA Corporation**  
1590 S. Milliken Avenue, Unit H, Ontario, California 91761  
Tel: +1-888-264-5008  
Fax: +1-781-780-5915  
sales@eoslift.us  
www.eoslift.us

Product features



Wide Applicability

- Used for loading goods onto or unloading goods from pallets and stacking goods
- Compact truck body, especially suitable for narrow aisles and small spaces Straddle and forged forks available

Safe and Comfort

- Equipped with reinforced safety grid (the grids and mounting screws are integrated)
- Press resistant caster bracket protects the operator from injuries
- Ergonomic handle for easier lifting and lowering of truck
- Foot pedal provides an additional option for convenient lifting
- Wheel assemblies with brakes for easy operation

Stable and Reliable

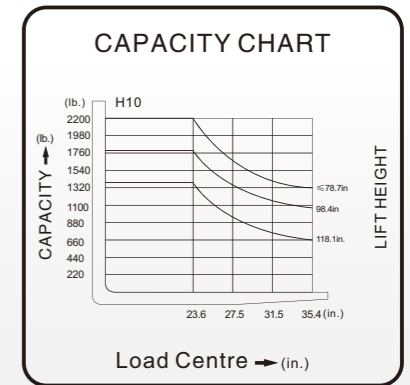
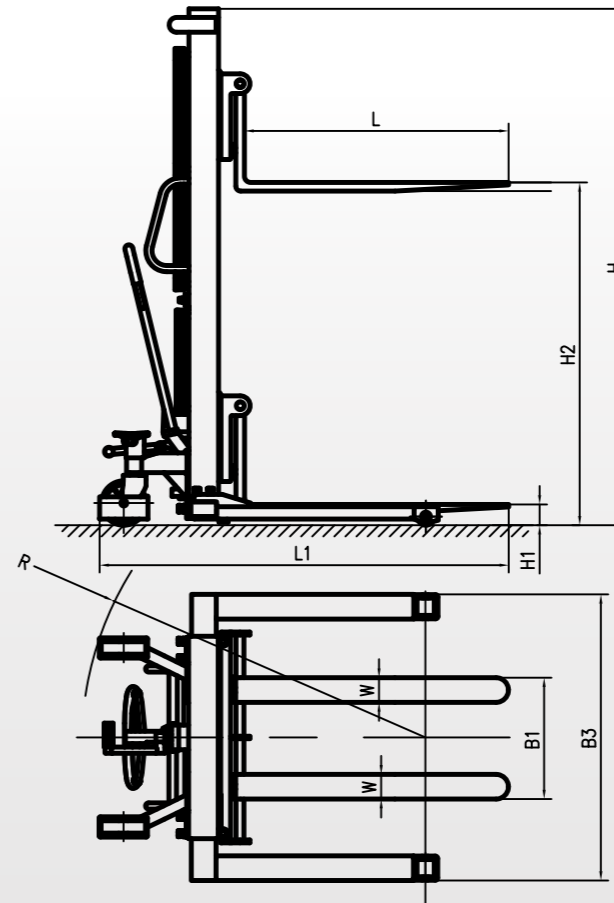
- Seal rings conforming to German standards ensure excellent performance
- Frame constructed of high-strength C type steel, especially for double frame series which will be more stable when lifting and lowering
- The cylinders use high precision drawn tubes which prevents the seal rings from damage and leakage

General Information

|                |     |      |
|----------------|-----|------|
| Model          |     | H10J |
| Rated capacity | lb. | 2200 |
| Load center    | in. | 23.6 |
| Service weight | lb. | 759  |

Size

|                        |        |           |
|------------------------|--------|-----------|
| Minimum fork height    | in.    | 1.4       |
| Maximum fork height    | H2 in. | 63        |
| Lowered Mast Height    | H in.  | 81.1      |
| Fork length            | L in.  | 42.1      |
| Overall fork width     | B1 in. | 8.3-32.7  |
| Length of the stacker  | L1 in. | 66.3      |
| Width of the stacker   | B3 in. | 41.3-57.1 |
| Load-bearing wheel     | in.    | Φ2.8×2.8  |
| Steering wheel         | in.    | Φ7.1×2    |
| Minimum turning radius | R in.  | 51        |



\* The manufacturer has the right to change the design and specification of products. The improvement of technical parameter or configuration will be amended at any time without prior notice.\*